



File Name: 96 ford ranger owners manual.pdf

Size: 4769 KB

Type: PDF, ePub, eBook

Category: Book

Uploaded: 9 May 2019, 21:36 PM

Rating: 4.6/5 from 833 votes.

Status: AVAILABLE

Last checked: 14 Minutes ago!

In order to read or download 96 ford ranger owners manual ebook, you need to create a FREE account.

[**Download Now!**](#)

eBook includes PDF, ePub and Kindle version

[Register a free 1 month Trial Account.](#)

[Download as many books as you like \(Personal use\)](#)

[Cancel the membership at any time if not satisfied.](#)

[Join Over 80000 Happy Readers](#)

Book Descriptions:

We have made it easy for you to find a PDF Ebooks without any digging. And by having access to our ebooks online or by storing it on your computer, you have convenient answers with 96 ford ranger owners manual . To get started finding 96 ford ranger owners manual , you are right to find our website which has a comprehensive collection of manuals listed.

Our library is the biggest of these that have literally hundreds of thousands of different products represented.



Book Descriptions:

96 ford ranger owners manual



Ranger represented various trim sets of the Ford F-Series and Bronco, serving as a mid to top-level trim. The Ford Ranger nameplate was applied to every new compact pickup truck from their 1983 model year, which replaced the 1972-1982 Ford Courier in North America. And in 1998, Ford began the use of Ranger nameplate in place of Courier, with all compact trucks named Ranger by 2006 in global markets. The same year, Ford began the production of a midsize Ford Ranger and was sold globally, except in the United States and Canada until 2019. We spend our time collecting up some of the rarest owner manuals around in an attempt to make them as easily findable as possible. Earn on gas, insurance, dining and more! Plus you'll get to know your vehicle better with helpful information tailored just for you. Don't forget to ask for their help in redeeming your FordPass Rewards Points. Through a collection of current features and programs, and features coming soon, FordPass will provide you with more options so you can go further than you thought possible. Note: If you do not accept the terms and conditions by June 30, 2020, your Owner Advantage Rewards balance will be forfeited. What happens if I close this site before I'm finished. Restrictions apply. See your Ford or Lincoln Dealer for complete details and qualifications. Ford Motor Company reserves the right to modify the terms of this plan at any time. Please try again. Please try again. Then you can start reading Kindle books on your smartphone, tablet, or computer. No Kindle device required. Register a free business account. To calculate the overall star rating and percentage breakdown by star, we don't use a simple average. Instead, our system considers things like how recent a review is and if the reviewer bought the item on Amazon. It also analyzes reviews to verify trustworthiness. Please try again later. Dwight 5.0 out of 5 stars All I can say is great. I couldn't have asked for any better. http://amexeu.com/an3_Uploads/epa-2009-wastewater-treatment-manual.xml

- **96 ford ranger owners manual, 1996 ford ranger owners manual, 1996 ford ranger owners manual pdf, 96 ford ranger repair manual, 96 ford ranger service manual pdf,**

96 ford ranger service manual, 1996 ford ranger repair manual pdf free download, 1996 ford ranger repair manual, 1996 ford ranger repair manual pdf, 1996 ford ranger service manual, 1.0, 96 ford ranger owners manual, 1996 ford ranger owners manual, 1996 ford ranger owners manual pdf, 96 ford ranger repair manual, 96 ford ranger service manual pdf, 96 ford ranger service manual, 1996 ford ranger repair manual pdf free download, 1996 ford ranger repair manual, 1996 ford ranger repair manual pdf, 1996 ford ranger service manual.



RANGER

Your satisfaction is our #1 goal. If you have questions or concerns with your vehicle, we suggest you follow these steps:

1. Contact your Sales Representative or Service Advisor at your selling/servicing dealership.
2. If the inquiry or concern remains unresolved, contact the Sales Manager or Service Manager at the dealership.
3. If the inquiry or concern cannot be resolved at the dealership level, please contact the Ford Customer Assistance Center.

In the United States:

Ford Motor Company
Customer Assistance Center
300 Renaissance Center
P.O. Box 43360
Detroit, MI 48243
1-800-392-3673 (FORD)
TDD for the hearing impaired: 1-800-232-5952

In Canada:

Customer Assistance Centre
Ford Motor Company of Canada, Limited
P.O. Box 2000
Oakville, Ontario L6J 5E4
1-800-565-3673 (FORD)

Outside the U.S. or Canada:

FORD MOTOR COMPANY
WORLDWIDE EXPORT OPERATIONS
1555 Fairlane Drive
Fairlane Business Park #3
Allen Park, Michigan 48101
Telephone: (313) 594-4857
Fax: (313) 390-0804

I was really surprised when I opened the mail box a few days latter and there it was. Great job and thanks. Please try again. Please try again. Then you can start reading Kindle books on your smartphone, tablet, or computer no Kindle device required. Register a free business account To calculate the overall star rating and percentage breakdown by star, we don't use a simple average. Instead, our system considers things like how recent a review is and if the reviewer bought the item on Amazon. It also analyzes reviews to verify trustworthiness. We've checked the years that the manuals cover You'll then be shown the first 10 pages of this specific. Then you can click Document Left Hand Drive Wiring Diagram Spam free Maximum of 1 email per month Spam free Maximum of 1 email per month. Ford Ranger Owners Manual. Ranger Automobile pdf manual download. You can download or print your explorer owners manual from ford. To download the Owner Manual, Warranty Guide or Scheduled Maintenance an Owner Manual please visit Helm, Inc for availability and cost information. Auto and car manuals and free pdf automotive manual instructions. Find the user manual you Ford Ranger Automobile User Manual. Page 1. Page 2. Page 3. Use your year, make and model or VIN number to find your vehicle owners manual. RockAuto ships auto parts and body parts from over 300 manufacturers to customers doors worldwide, all at warehouse prices. Easy to use parts catalog. Free PDF Downloads for all Engine sizes and models for Ford Ranger. Ford Ranger 1993 2005 Service Manual; 339 Pages. Free. Ford Ranger 1998 The manual is in pdf format, very easy to download, without registration or something. Cover everything, engine Ford Ranger

Owners Manuals. Below you will find free PDF files for select years of your Ford Ranger automobile. 1996 Ford Ranger Owners Manuals. Irs question form 8824, Document file local source upload, Blank day care menu form, Plural form for pendulum, Dssr 360 form. <http://www.connect-senior.com/uploads/userfiles/epa-2000-wastewater-treatment-manual.xml>



Reload to refresh your session. Reload to refresh your session. Vehicles listed are subject to availability and prior sale. Financing through VW Credit at standard rates may be required for advertised pricing. AutoCheck Vehicle History Summary Unavailable. Features and Specs Description Used 1996 Ford Ranger XLT with Extended Cab. CLEAN! RARE! We are excited to offer this 1997 Ford Ranger. This great opportunity is located at the largest Ford store in the area, Rivertown Ford. Just pull into the lot of trucks and PreOwned units are right upfront. Your buying risks are reduced thanks to a CARFAX BuyBack Guarantee. Its not a misprint. And the odometer isnt broken. This is a very low mileage Ford Ranger. A rare find these days. You can finally stop searching. Youve found the one youve been looking for. Based on the superb condition of this vehicle, along with the options and color, this Ford Ranger XLT is sure to sell fast. Our No Hassle Internet Price is to present value to all of our customers. No Hassle Internet Pricing is achieved by polling over 20,000 vehicle listings hourly. This ensures our customers receive realtime NO HASSLE PRICING on every vehicle we sell. We do not artificially inflate our prices in hopes of winning a negotiation contest with our customers. Our pricing is based on actual transactions. After doing business from Georgia to New Hampshire to California we find this approach is by far the best for our customers. AutoCheck Vehicle History Summary Accident Free Vehicle Yes Accident History No Reported Accidents Number of Previous Owners 1 Reported Owner Personal Use Only Yes Usage Type Personal Use Only History Provider AutoCheck Title Details Clean Title Salvage Vehicle No Frame Damage No Theft History No Lemon Status No Free History Report No Features and Specs Description Used 1997 Ford Ranger XLT with Standard Cab. Call directly 5715992238 to make an appointment with Pre Owned Sale Manager, William James here at Stohlman Subaru of Sterling.

Call directly 5715992238 to make an appointment with Pre Owned Sale Manager, William James

here at Stohlman Subaru of Sterling. MARKETBASED PRICING Our marketbased pricing software scans the market hourly and prices our vehicles based on realtime market supply and demand data. This means you get our best price upfront. No games, just an easy and transparent shopping experience. AutoCheck Vehicle History Summary Accident Free Vehicle Yes Accident History No Reported Accidents Number of Previous Owners 3 Reported Owners Personal Use Only Yes Usage Type Personal Use Only History Provider AutoCheck Title Details Clean Title Salvage Vehicle No Frame Damage No Theft History No Lemon Status No Free History Report No Features and Specs Description Used 1995 Ford Ranger with 5000lb Towing Capacity, Extended Cab. This little Ranger runs out great for 215xxx miles. Call or stop in today to speak to one of our sales experts. AutoCheck Vehicle History Summary Accident Free Vehicle Yes Accident History No Reported Accidents Number of Previous Owners 8 Reported Owners Personal Use Only Yes Usage Type Personal Use Only History Provider AutoCheck Title Details Clean Title Salvage Vehicle No Frame Damage No Theft History No Lemon Status No Free History Report No Features and Specs Description Used 1997 Ford Ranger XLT with Standard Cab. KEY FEATURES INCLUDE. 4Wheel ABS, Vinyl Seats. EXPERTS ARE SAYING Great Gas Mileage 27 MPG Hwy. OUR OFFERINGS Lithia Chrysler Jeep Dodge of Helena, located at 3401 US Highway 12 EAST Helena, Montana is happy to tell you that weve been serving the Great Falls, Butte and Bozeman area for longer than many of you might have owned your current car. With those years comes invaluable expertise, which we put to your advantage. Were not just talking acumen on new RAM, Dodge, Jeep and Chrysler models, but used cars, service and auto repairs and perhaps most importantly financing. Price does not include title, license, or dealer doc fees.

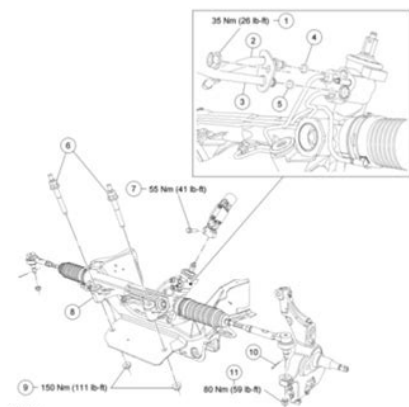


Fig. 21: Identifying Steering Gear - Rear Wheel Drive (RWD) With Torque Specifications
Courtesy of FORD MOTOR CO.

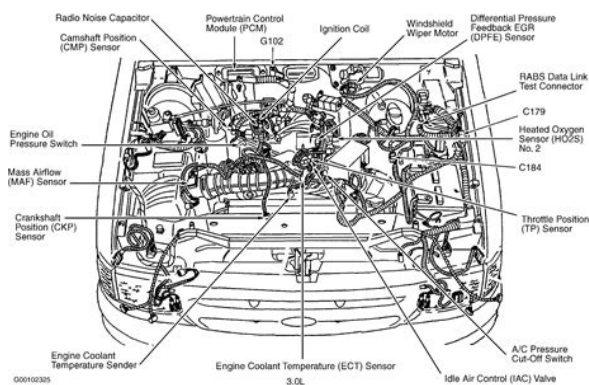
Item	Part Number	Description
1	WS20413	Steering line clamp plate nut
2	3A713	Return line
3	3A719	Pressure line
4	N803256	O-ring seal
5	N803257	O-ring seal
6	N811762	Steering gear studs (2 required)
7	N803942	Lower steering column shaft-to-steering gear bolt
8	3504	Steering gear
9	N808265	Steering gear nuts (2 required)

<https://ayurvedia.ch/bose-wave-radio-cd-manual-pdf>

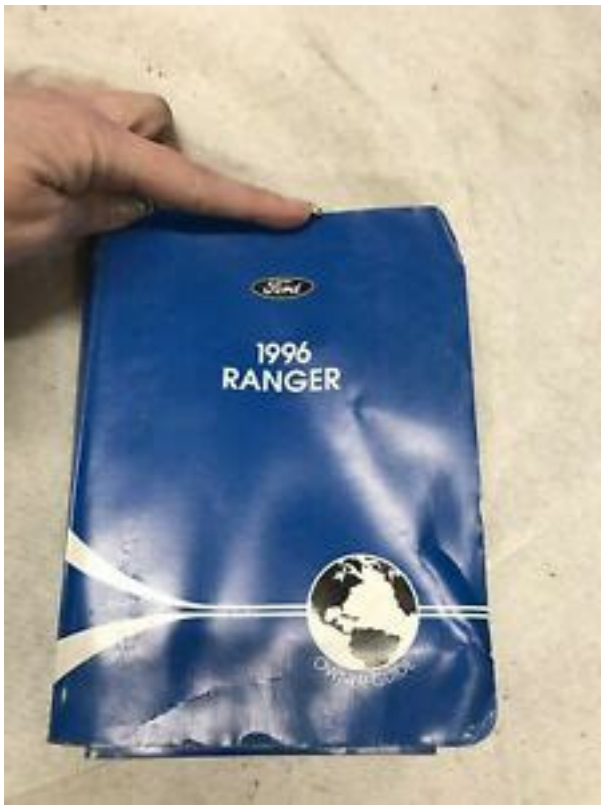
Price contains all applicable dealer incentives and nonlimited factory rebates. You may qualify for additional rebates; see dealer for details. AutoCheck Vehicle History Summary Accident Free Vehicle No Accident History 1 Reported Accident Number of Previous Owners 4 Reported Owners Personal Use Only Yes Usage Type Personal Use Only History Provider AutoCheck Title Details Clean Title Salvage Vehicle No Frame Damage No Theft History No Lemon Status No Free History Report No Features and Specs Description Used 1997 Ford Ranger XL with Standard Cab. Features and Specs Description Used 1995 Ford Ranger XL with 5000lb Towing Capacity, Extended Cab. Please continue for more information regarding this 1997 Ford Ranger XLT with 129,511mi. This vehicle is

loaded with great features, plus it comes with the CARFAX BuyBack Guarantee. Low, low mileage coupled with an exacting maintenance program make this vehicle a rare find. There is no reason why you shouldn't buy this Ford Ranger XLT. It is incomparable for the price and quality. You can finally stop searching. You've found the one you've been looking for. AutoCheck Vehicle History Summary Unavailable. Features and Specs Description Used 1997 Ford Ranger XLT with Standard Cab. This regular cab truck has a cloth bench seat, ball hitch, and a Media Player with a USB and aux port. Want a custom video Just text your name and the stock number to 6602475319. Plus, FREE Smart Certified Warranties on Most Chrysler, Dodge, Jeep, Ram Products. With the largest, most diverse inventory in Middle America, you can view all makes in one location. Excludes tax, title, license fees.. Errors occur with regard to web content. We reserve the right to correct these errors and may not be held accountable for them. We appreciate your understanding and apologize for any errors and ask that you please call to verify mileage, availability and anything else of importance to you before making a trip to our dealership.

<http://daniela-vashiron.com/images/canon-powershot-s1-is-3.2-mp-digital-camera-manual.pdf>



AutoCheck Vehicle History Summary Accident Free Vehicle No Accident History 1 Reported Accident Number of Previous Owners 6 Reported Owners Personal Use Only Yes Usage Type Personal Use Only History Provider AutoCheck Title Details Clean Title Salvage Vehicle No Frame Damage No Theft History No Lemon Status No Free History Report No Features and Specs Description Used 1998 Ford Ranger XLT with Standard Cab. Manual Transmission. Blue 1998 Ford Ranger RWD 5Speed Manual with Overdrive 3.0L V6 3.0L V6. Recent Arrival! Contact one of our No Regrets Sales Professionals for more info!!! 801 2988090. AutoCheck Vehicle History Summary Accident Free Vehicle Yes Accident History No Reported Accidents Number of Previous Owners 4 Reported Owners Personal Use Only Yes Usage Type Personal Use Only History Provider AutoCheck Title Details Clean Title Salvage Vehicle No Frame Damage No Theft History No Lemon Status No Free History Report No Features and Specs Description Used 1998 Ford Ranger Splash with Extended Cab. Cab 2WD features a 2.5L I4 SOHC 8V 4cyl Gasoline engine. It is equipped with a Automatic transmission. The vehicle is Oxford White Clearcoat with a Medium Graphite Cloth interior. Clean Florida truck!! Just did recent tune up including new spark plugs, wires, and valve cover gasket!! Has Kenwood stereo with aux and bluetooth. Great little pickup truck. Call us today to schedule a test drive!! We finance anyone! Good credit, bad credit, no credit, NO PROBLEM!!!! Call us today 6306201900. We also make concessions for all of our veterans. VISIT US TODAY Indianas Auto Giant. Enjoy upscale standard features such as antitheft protection and daytime running lights. These are features not found in the Mazda3 or Ford Focus. VW 3,000 ADDITIONAL DISCOUNT MAY APPLY Contact us for more information. This Ford Retired Courtesy Vehicle is dealermaintained, has lowmileage ONLY 197,857 miles and is eligible for special discounts.



Fuel economy calculations based on original manufacturer data for trim engine configuration. AutoCheck Vehicle History Summary Accident Free Vehicle No Accident History 3 Reported Accidents Number of Previous Owners 5 Reported Owners Personal Use Only No Usage Type Rental Vehicle History Provider AutoCheck Title Details Clean Title Salvage Vehicle No Frame Damage No Theft History No Lemon Status No Free History Report No Features and Specs Description Used 1998 Ford Ranger XLT with Standard Cab. You may test drive this unit have a mechanic of your choice to take a look at it or I offer free car fax and information of preowned owner. Drive home in your new preowned vehicle with the knowledge youre fully backed by the CARFAX Buyback Guarantee. You can tell this 1998 Ford Ranger has been pampered by the fact that it has less than 185,535mi and appears with a showroom shine. The quintessential Ford This Ford Ranger XL speaks volumes about its owner, about uncompromising individuality, a passion for driving and standards far above the ordinary. The look is unmistakably Ford, the smooth contours and cuttingedge technology of this Ford Ranger XL will definitely turn heads. Our No Hassle Internet Pricing mission is to present value to all of our customers. No Hassle Internet Pricing is achieved by polling over 20000 vehicle listings hourly. This ensures our customers receive realtime No Hassle Pricing on every preowned vehicle we sell. We do not artificially inflate our prices in hopes of winning a negotiating contest with our customers. Our pricing is based on actual transactions. After doing business from New Hampshire to California we find this approach is by far the best for our customers. AutoCheck Vehicle History Summary Unavailable. Features and Specs Description Used 1998 Ford Ranger XL with Standard Cab. EXCELLENT SAFETY FOR YOUR FAMILY 4Wheel ABS Safety equipment includes 4Wheel ABS. EXPERTS ARE SAYING Great Gas Mileage 21 MPG Hwy.

Fuel economy calculations based on original manufacturer data for trim engine configuration. Please confirm the accuracy of the included equipment by calling us prior to purchase. AutoCheck Vehicle History Summary Accident Free Vehicle No Accident History 1 Reported Accident Number of Previous Owners 6 Reported Owners Personal Use Only Yes Usage Type Personal Use Only History

Provider AutoCheck Title Details Clean Title Salvage Vehicle No Frame Damage No Theft History No Lemon Status No Free History Report No Features and Specs Description Used 1994 Ford Ranger STX with Extended Cab. Nikon Eclipse Ti Manual. Xerox Workcentre 5335 Service Manual. Page 1 of 369 Free PDF Manual Download for Ford Ranger. Ford Ranger The Ford Ranger was a pickup truck produced by Ford Motor Company from 1983 to 2013. The Ranger was introduced as the replacement for the Ford Courier. It was rebadged by Mazda and sold as Mazda Bseries later Mazda Truck. Sold over 1.8 million units until 2011, the Ranger was a popular vehicle from Ford. Ford designed and engineered the North American version of the Ranger, which commenced manufacture in January 1982 for the 1983 model year and ended production in December 2011. Everest Refrigeration Manual. 1981 Bmw 320i Workshop Manual. Secondgeneration models from 2006 to 2011 were also designed by Mazda, being rebadged versions of the successor to the BSeries, the BT50. Comments are closed. Post navigation Mccullough Eager Beaver Chainsaw Manual Roper Pexto Roll Manual Search for Search Most Popular Posts Pals Pretest Code From Manual 1999 Suzuki Gsxr 600 Owners Manual John Deere Mc Crawler Service Repair Manual Futures Options Hull Solution Manual Mercedes C Class 300 Workshop Manual everythingist.web.fc2.com. Find your Owner Manual, or guides to special features and warranties. You can even print out a handy Roadside Assistance Card to store in your vehicle. Simply enter the year and model of your Ford to access your owner information.

<https://snabavto.com/wp-content/plugins/formcraft/file-upload/server/content/files/1628042878ee74--Brujula-brunton-manual.pdf>

Standard messaging and data plan rates may apply. Please refer to the redirected website for its privacy policy. Please refer to the redirected website for its privacy policy. For more information, see our Privacy Policy. By using this website, you agree to our use of cookies. The right is reserved to change specifications, colours of the models and items illustrated and described on this website at any time. The American giant is headquartered in Michigan and was founded in 1903 by Henry Ford. The company sells a large range of vehicles, including commercial and luxury cars. Ford is currently the secondlargest U.S.-based automaker and the fifth largest in the world. In 2008 alone, Ford produced more than 5.5 million automobiles and employed more than 200,000 employees at 90 plants worldwide. Written by experts with hands-on experience, our extensive selection of Ford repair manuals will help you to fully service your vehicle, as well as rebuild from the ground up. Haynes manuals provide you with all the practical tips, photos, and step-by-step explanations you need to get the job done. This truck is unstoppable. I bought it used with 230,000 miles on it and it ran great. It only needed a wiper motor. I drove it everyday as a work truck equipped with ladder racks. This truck continued on up to 530,000 miles with out any major problems. I replaced common wear and tear items like alternators and radiator, brakes, belts and hoses. I did all the work myself without a problem. At 200k it needed a clutch and then another clutch at 510k. I also did the mass air flow meter. That was the only time that the truck actually broke down. I just disconnected the sensor and it continued driving. It never left me stranded until the last time the clutch went out. The radiator actually blew a hole in itself one day and overheated. I had a cooler full of water in the back. I filled it up twice after it cooled and drove it to auto zone where I installed the new radiator in only 20 minutes.

The alternator goes out and warns you as its dying. Both times I was able to get it home before it quit. This has been the best truck ever. The only problems I have with it are that it doesnt handle well with the stepside bed in wet conditions and its a little weak on power. Also the tire size is odd and hard to find. I would surely recommend this truck. However is is not well suited for a new driver as its incredibly light in the rear and fishtails easily. Ive driven it from Arkansas to South Dakota pulling trailers and hauling cargo. I have replaced the clutch and starter. The 4.0L V6 is a workhorse engine. I have 177K on the truck. It has been absolutely great!! Gas mileage is 1923 city and 2226

on the road. This was supposed to be my sons truck but I stole it from him. The tire size is a little odd and I have had to search for the right size. I am selling mine since I bought a 2011 Ranger which I expect to keep until 2020. Ford is dumb to get out of the small truck market. Other than normal items plugs, brakes, tires and batteries replacing the radiator has been the only real expense. Every one tells me I should think of getting something newer but as long as it still gets me around I will keep it. Not a luxury vehicle, but reliable and very versatile. It has more room than the standard cab which was great for me because I am tall. It was a xlt v6 so it had plenty of get up when it needed it. It did have 4 wheel drive which is a plus and made it great for little errands or have if a little fun of road. I totally would recommend this vehicle to any one. Ranger engines built before year 2000 are known as Die Hard. If you need a basic work truck or fixerupper this is the one for you. Only two owners, new brakes and power boosters, bed liner good condition. As with any classifieds service please be aware of the warning signs relative to buying and selling online. Concerned about this ad But it's probably a good idea to ask the seller about them.

As always, if you don't feel comfortable about it, do not proceed with the purchase. But it's probably a good idea to ask the seller about them. As always, if you don't feel comfortable about it, do not proceed with the purchase. Something went wrong. View cart for details. All Rights Reserved. User Agreement, Privacy, Cookies and AdChoice Norton Secured powered by Verisign. On some Fords, the owners manual suggests pumping the brake pedal 25 times before looking at the fluid level, be sure to check your owners manual to see if this applies to your 1996 Explorer. In addition to checking the brake fluid level, you want to look at the color of the brake fluid in your Explorer if it is dark in color or it has been more than 2 years since you have changed it, you should consider having it changed this will help make the internal components which are expensive last much longer. If you need to add fluid to your Explorer, it is important to check your owners manual for the correct type to add it likely be either DOT 3, DOT 4 or DOT 5, also known as silicone brake fluid. Be sure to discard bottles of brake fluid that are over a year old brake fluid sucks the moisture out of the air and the water vapor in the fluid can quickly rust out the brake lines in your Explorer. Replace it every 4 years All Rights Reserved. Designated trademarks are the property of their respective owners. This Service is not affiliated with the various automotive companies featured therein. Details of the cookies Ford use and instructions on how to disable them can be found in the Ford Cookie Guide Ford Cookie Guide. By clicking Accept button, you agree to our use of cookies. It also appears on the passengers side of your vehicle, between the windshield and the dashboard. Ut enim and minim.

<https://skazkina.com/ru/bose-wave-radio-cd-manual-pdf>