



File Name: canon powershot sx120is manual online.pdf
Size: 2298 KB
Type: PDF, ePub, eBook
Category: Book
Uploaded: 27 May 2019, 17:40 PM
Rating: 4.6/5 from 563 votes.

Status: AVAILABLE

Last checked: 10 Minutes ago!

In order to read or download canon powershot sx120is manual online ebook, you need to create a FREE account.

[**Download Now!**](#)

eBook includes PDF, ePub and Kindle version

[Register a free 1 month Trial Account.](#)

[Download as many books as you like \(Personal use\)](#)

[Cancel the membership at any time if not satisfied.](#)

[Join Over 80000 Happy Readers](#)

Book Descriptions:

We have made it easy for you to find a PDF Ebooks without any digging. And by having access to our ebooks online or by storing it on your computer, you have convenient answers with canon powershot sx120is manual online . To get started finding canon powershot sx120is manual online , you are right to find our website which has a comprehensive collection of manuals listed.

Our library is the biggest of these that have literally hundreds of thousands of different products represented.



Book Descriptions:

canon powershot sx120is manual online

Canon Powershot SX120 IS 10M...



If anything is missing, contact the retailer from which you purchased the camera. AA-size Alkaline Memory Card Camera Batteries 2 Interface Cable AV Cable Wrist Strap WS800 IFC400PCU AVDC400 Getting Started DIGITAL CAMERA Warranty "Canon Customer Solution Disk Card Support" Leaflet Using the PDF Manuals Also refer to the PDF manuals on the CD-ROM. After installation, shortcut icons appear on Please note that Canon Inc., its subsidiaries and affiliates, and its distributors are not liable for any consequential damages arising from any malfunction of a camera or accessory, including memory cards, that results in the failure of an image to be recorded or to be recorded in a way that is machine readable. Warning Against Copyright Infringement The images record Checking the Package Contents. 2 Formatting Memory Cards. 52 Read This First. 3 Power Saving Function Auto Power Down. 54 What Do You Want to Do. 4 Conventions Used in this Guide. 8 3 Sho Denotes the possibility of injury. In the event that a battery leaks and the eyes, mouth, skin or The latter part of this chapter explains how to shoot and view images in Easy Mode, how to shoot and view movies and how to transfer images to a computer. Check the card's writeprotect tab. If the memory card has a writeprotect tab, you will not be able to record images if the tab is in the locked position. Slide the tab up until you hear a click. Open the cover. Slide and hold the cover lock, then slide and open the cover as shown. Insert the memo Removing the Memory Card. Push the memory card in until you hear a click, then slowly release it. You can check the number of shots that can be taken when the camera is in a Shooting mode p. 22. Number of shots that can be taken Compatible Memory Car Turn on the camera. Press the power button. Set the date and time. Press the qr buttons to choose an option. Press the op buttons or turn the A dial to set a value. Make the setting. Press the m button. <http://vnmalta.com/userfiles/duplo-545-service-manual.xml>

- 1.0.

Canon

PowerShot SX120 IS
Camera User Guide



ENGLISH

- Make sure you read this guide before using the camera.
- Store this guide safely so that you can use it in the future.

Once the date and time have been set, Change the date and time. Follow Steps 2 and 3 on p. 18 to adjust the setting. To close the menus, press the n button. Enter Playback mode. Press the 1 button. Display the settings screen. Press and hold the m button, then immediately press the n button. Set

the display language. Press the opqr buttons or turn the A dial to choose a language, then press the m button. Once the display language has been set, the language menu will close. You can also change the display language by pressing the n bu. This page requires Javascript. Modify your browsers settings to allow Javascript to execute. See your browsers documentation for specific instructions. To install your download click on the name of the downloaded file. Access your account, or create a new account, click here to get started. Figures for Movie Mode represent total capacity of the particular media. However, protected images cannot be erased Movie any movie file files must be erased one at a time Recommended Software File Name Date File Size Optional Software File Name Date File Size Recommended Manuals File Name Date File Size Optional Manuals File Name Date File Size The Product purchased with this limited warranty is the only PowerShot Digital Camera to which this limited warranty applies. Warranty exchange or replacement does not extend the original warranty period of the Product. The sole warranty, if any, with the respect to such nonCanon brand items is given by the manufacturer or producer thereof. This limited warranty covers all defects encountered in normal use of the Products, and does not apply in the following cases A Canon Customer Care representative will attempt to diagnose the nature of the problem and correct it over the telephone. If the problem cannot be corrected over the telephone, you will be asked to follow the applicable procedures for MAILIN SERVICE. Note that a dated proof of purchase is required at the time of service. <http://www.radicalsport.com.br/datamont/userfiles/duplo-4863-manual.xml>

Canon

PowerShot SX120 IS
Camera User Guide



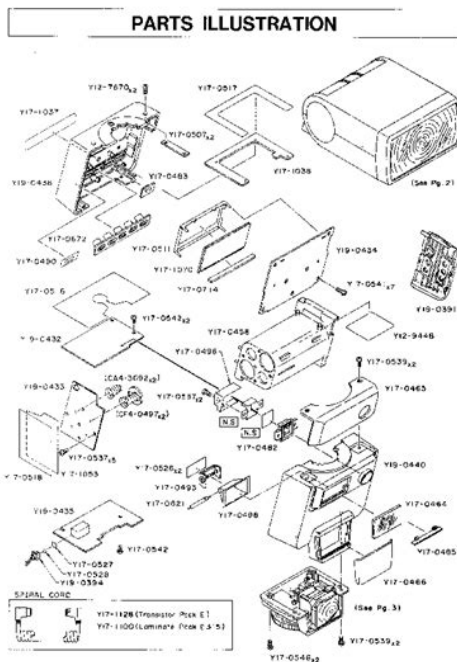
ENGLISH

- Make sure you read this guide before using the camera.
- Store this guide safely so that you can use it in the future.

MAILIN SERVICE is a program under which your Product is repaired by a Canon U.S.A. or a Canon Canada authorized service center for the Product. You will be given the name, address and phone number of an authorized service center. It is your responsibility to properly package and send the defective Product, together with a copy of your dated proof of purchase, a complete explanation of the problem and a return address to the authorized service center at your expense. Do not include any other items with the defective Product. The Product covered by this limited warranty and proven to be defective upon inspection will be repaired and returned to you without charge by the

authorized service center. Any Product received by the authorized service center that is not covered by the limited warranty will be returned unrepaid, or at the discretion of the authorized service center, you may receive a written estimate of repair at such cost as the service center may establish from time to time. Scroll down to easily select items to add to your shopping cart for a faster, easier checkout. Visit the Canon Online Store Provides uninterrupted power for shooting or downloading. It allows viewing of recorded images from the Canon Powershot Digital Cameras. Effectively doubles the flash range of the camera. Comes with mounting bracket. The cable connects to your camera and to the USB port on your PC or MAC Computer. Comes standard with the EOS 1Ds Mark III, 1D Mark IV, 1D Mark III, 1Ds Mark II, 1D Mark II N, 1D Mark II, 5D Mark II, 7D, 5D, 50D, 40D, 30D, 20D, 10D, Digital Rebel XTi, Digital Rebel XT and Digital Rebel. Please see Compatibility tab for compatible models. Be sure to check out our guide on How to Take Awesome Photos for help setting up your photo area and practicing your technique. But for camera operation and settings, this guides got you covered. Aperture Priority All photographs should be taken in this mode, as it is the easiest to control.

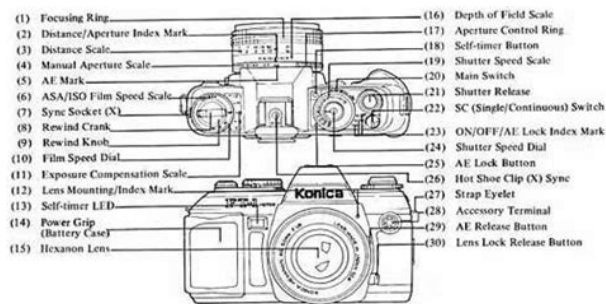
Camera Buttons Other cameras may have a similar setup for accessing common functions. Aperture fstop Every camera lens has a multibladed diaphragm called the aperture that stops down to different diameters to let more or less light into the camera. Stepping down the aperture to a smaller fstop will achieve more depth of field, but eventually comes at the price of color distortion and poor image quality. Rotate the dial to change the setting. The cameras maximum fstop value is 8.0, as shown in the picture. For a given aperture, a negative EV will set a shorter shutter speed and make the picture darker. A positive EV will keep the shutter open a little longer, allowing in more light and making the picture brighter. If you are constantly using extreme EV values, you may want to consider adjusting your lighting setup. By default its set at 0. Setting the number higher will make the photo brighter, and lowering it will make the image darker. Do your best to get your images properly exposed while shooting—postprocessing in editing software can actually take up more time. If absolutely necessary, Photoshop or similar software can also be used in conjunction with exposure compensation to adjust the lighting of a picture. We use exposure compensation to make the object in the picture look appropriately lit, and then use Photoshop Elements to process the picture and make it even better. High ISO values lead to very grainy pictures, and we like to take good quality pictures. In the case of the Canon PowerShot SX120 IS, the lowest value is 80, and thats the setting it should be set at. Lower ISO values will require you to use a slower shutter speed, but this is not an issue when using a tripod. This image is a good example of what a high ISO photo looks like. Notice all of the noise—the colorful speckles—especially in the darker parts of the picture. High ISO is used in very low light conditions where a camera must be handheld.



<http://schlammatlas.de/en/node/18052>

If this same shot were attempted at a lower ISO, the image would have been less grainy, but there would have been noticeable motion blur due to the slower shutter speed required. Other cameras may have 2 or 10second timers; either one can be used. Macro Mode Sometimes its a setting on the back of the camera as in the Canon PowerShot SX120 IS, and sometimes it can be part of the rotary wheel on the top of the camera. Use the macro mode when you want to take closeups of objects. You can certainly determine which mode macro or normal works better by taking a couple of test photos. White Balance However, no camera is perfect in all circumstances. You can change it to any of the five presets, as well as Custom only for the truly adventurous. Each preset is made for a certain type of lighting, such as daylight, incandescent bulbs, fluorescent bulbs, and others. Take test photos in different modes to see how the white balance settings affect the color of the pictures. Be aware that your lighting conditions may change throughout the day the sun leaves for the day, someone turns on a lamp or opens the door, which may affect the white balance of the pictures. Alternately you can use photo editing software, such as Photoshop, to adjust the white balance of the photo, but its a much more timeintensive task than setting up the camera correctly. DO NOT add markup circles, rectangles, arrows, etc. in these tools. Use our online markup editor for that. EOS M and EOS R Full Frame mirrorless ranges deliver the power of DSLR in the body of a compact camera. You can also view our Frequently Asked Questions FAQs and important announcements regarding your PowerShot product. Finished book size is A5 148 x 210mm. 144 pages long. Our reprints are high quality, printed on 80gsm superwhite Canon paper on a Canon office copier. The pages are then spiral bound with a clear acetate front cover and red card back cover, held together with a strong white wire.

<http://www.dolciariavarone.com/images/c20xe-user-manual.pdf>



Your manual will lay flat when open and will last for as long as your camera, with a little bit of care. Manuals over 400 pages long may be supplied as more than one book. With this Table of Content, you can directly go to the certain part of this article simply by clicking the sub topic below. Contents show 1 An Introduction to Canon PowerShot SX120 IS Manual 1.1 The Overall Look of Canon PowerShot SX120 IS 1.2 The Specification of Canon PowerShot SX120 IS 1.3 The Price and Impression of Canon PowerShot SX120 IS 2 Canon PowerShot SX120 IS Manual User Guide An Introduction to Canon PowerShot SX120 IS Manual It is such a perpetuation that a product, especially for the digital camera product, can't be separated from its manual. By using this manual, user will be able to understand about their product deeper. Therefore, operating and treating the camera better will be something possible. This is exactly why we provide the Canon PowerShot SX120 IS Manual. The only aim is to educate the users of this camera to use this product better so that they can result a good photographical image. The Overall Look of Canon PowerShot SX120 IS It is generally known that look is something important that becomes a consideration for people in buying digital camera product. With the look, People can instantly attracted to a certain digital camera product. More than that, sometimes the choice of camera look is also reflecting the personality of owner as well as the classiness of the camera itself. So, before we hit the Canon PowerShot SX120 IS Manual User Guide directly, now we are going to talk about the look of this camera first. Actually, there is no significant change from product's appearance. It comes with all black domination with white wording in several parts. You can't deny that this camera represents bold and solid soul. Canon PowerShot SX120 IS manual tells that it has 111 x 71 x 45 mm body dimension. Therefore, Canon PowerShot SX120 IS will be easy to handle.

<http://www.atlantarepairtv.com/images/c203-user-manual.pdf>



Moreover, the magnesium alloy as the body material will resist against wear, tear, and drop. If you are trying to figure it out, the overall body weight is just approximately 245 gram. It is such a proportional camera body, because it is not too small or too big. Read another review of this camera in this link. The Specification of Canon PowerShot SX120 IS A mid-sized digital might be the most

suitable option for those willing something practical but with high specification. There are tons of products out there, but there is nothing like Canon PowerShot SX120 IS. Manufactured under Canon U.S.A, this camera offers better performance than its predecessor, Canon PowerShot SX110 IS. Get closer with this camera as detailed below. The first thing to be underlined is that this cool camera comes with 10 megapixels sensor resolution. No need to bring additional gadget for video recording because Canon PowerShot SX120 IS also doing well for this duty. The RGBG software is set to be the main color filter technology. No wonder that the colors will be as alive as possible. On the lens and optics sectors, the manufacturer put their trust on Canon Zoom Lens. This type of lens has focal length at 36360 mm with maximum aperture at f2.8f8.0. You can do more with its 10X Optical Zoom. Nothing too difficult in applying several settings because you are able to make it live from its 3 inches LCD Display. Several software are set to support your photography activity such as Canon ImageBrowser, Canon remote Capture, Canon PhotoStitch, and Canon ZoomBrowser. Last but not least, double AA NiMH batteries are required to supply this camera's power. The Price and Impression of Canon PowerShot SX120 IS Overall, Canon PowerShot SX120 IS has what it takes to be a great midsized camera. Mary Kate, one of the users, said that she loves this camera for its image stabilizer, fast shutter speed, small size, and decent price. Now it's the right time for you to try.

Get it at 249 USD and you will never regret. Canon PowerShot SX120 IS Manual User Guide As it is stated at the beginning of this article, the aim of providing this writing is to bring the Canon PowerShot SX120 IS Manual. This is the manual that will give you the information related to the specification, features, operation, instruction, camera manual, and others. So, for you who want to look for information regarding to this Canon camera product, referencing to the manual below will be the best thing to do. To give you the better access, we will provide the manual in PDF. So, before reaching out to the manual, it will be better if you download the PDF reader software first. Download Canon Camera PowerShot SX120 IS Manual Read other Canon camera manual user guide in this page. Find more Camera user manual several other brands in this page. That's all of the information related to the Canon PowerShot SX120 IS Manual. We hope that the information below could be beneficial to update your understanding toward this camera product. If you have any thoughts about this product in general, we welcome you to put them in the comment session below. And if you find this information is useful, sharing this article in your personal page will be so much appreciated. Share Pinterest Tweet Linkedin Email Prev Article Next Article Related Articles Canon EOS10D Manual User Guide Canon EOS 1V Manual for Canon Tough Camera with Awesome Performance Leave a Reply Cancel reply This site uses Akismet to reduce spam. Learn how your comment data is processed. By continuing to use this website, you agree to their use. Please consider supporting us by disabling your ad blocker. Refresh. Please try again.Please try again.Page 1 of 1 Start over Page 1 of 1 In order to navigate out of this carousel please use your heading shortcut key to navigate to the next or previous heading.

<http://www.thelawchamber.com/wp-content/plugins/formcraft/file-upload/server/content/files/16272ad1cb84b1--breville-juice-fountain-je70-manual.pdf>

In order to navigate out of this carousel please use your heading shortcut key to navigate to the next or previous heading. Register a free business account Please try your search again later.The Smart AUTO feature makes every shot picture perfect. An impressive 10x Optical Zoom with Optical Image Stabilizer keeps you sharp and steady. There's even an Easy Mode that makes shooting super simple.Just set the Canon PowerShot SX120 IS to Smart AUTO and youre ready for maximum enjoyment from your picture taking every time. Its a relaxing and satisfying way to shoot because you can completely concentrate on your subject, knowing that the camera has the technical details covered. Advanced Canon technology intelligently analyzes your situation and shooting conditions.The Smart AUTO feature makes every shot pictureperfect. An impressive 10x Optical

Zoom with Optical Image Stabilizer keeps you sharp and steady. There's even an Easy Mode that makes shooting super simple. PowerShot SX120 Highlights Smart AUTO detects and analyzes faces, brightness, colors, distance, and movement. Just set the Canon PowerShot SX120 IS to Smart AUTO and you're ready for maximum enjoyment from your picture taking every time. It's a relaxing and satisfying way to shoot because you can completely concentrate on your subject, knowing that the camera has the technical details covered. Advanced Canon technology intelligently analyzes your situation and shooting conditions. Then it automatically selects an appropriate setting from 18 specially defined settings. So whether you're photographing flowers, a captivating sunset, or your friends at the park, you can be confident that you're getting dramatic, memorable images. Easy Mode makes capturing images as easy as 1-2-3. Even if you've never picked up a camera before, with Canon's new Easy Mode you can take inspiring, dramatic pictures that will impress everyone. Once you choose Easy Mode, the PowerShot SX120 IS handles all the details automatically.

It automatically sets every camera control, including the flash, to reduce blur and improve image quality. So you get pictures that are bright, clear and natural just by pushing a button. Best of all, you can relax and concentrate on what really counts—your subject. With 20 Shooting Modes including 8 Special Scene Modes, you're ready for whatever shot comes your way. 10x optical zoom in action. High-powered 10x optical zoom with Optical Image Stabilizer. The PowerShot SX120 IS has a 10x Optical Zoom lens that makes it easy to get the inspiring, emotive closeups that will make your images lasting keepsakes. This magnificent lens gives you the power to shoot distant subjects with razor-sharp precision and stunning lifelike color. So you can brilliantly capture a bird high atop a tree, a child's winning goal from across the stadium or a school play from the last row. Plus, thanks to Canon's highly sophisticated Optical Image Stabilizer Technology, even at maximum zoom, every image is rock steady. The PowerShot SX120 IS is equipped with Canon's acclaimed Optical Image Stabilizer Technology that automatically detects and corrects camera shake—one of the leading causes of fuzzy or blurred shots. Even when zoomed in, you can get the steady, crisp, brilliant images you'll be proud to shoot and share. And Canon's Optical Image Stabilizer Technology is convenient to use. It functions perfectly with or without a flash. DIGIC 4 Image Processor. With DIGIC 4, your images boast superior quality, the camera operates at top efficiency and battery life is enhanced. What's more, the DIGIC 4 Image Processor enables Canon's Face Detection, Motion Detection Technologies and Redeye Correction to give you better, more true-to-life people shots. Simply press the shutter button halfway down, and the camera automatically pinpoints the faces in the scene and chooses the ideal focus point. The camera controls exposure settings and flash to keep every face looking bright and natural.

The camera also selects and sets the optimal exposure and ISO settings automatically to keep everything looking sharp and clear. Redeye Correction can be handled in-camera, in two ways. The Redeye Correction during shooting uses the Face Detection Technology to recognize and remove red-eye from images as they're taken, before the file is written to the memory card. It's also possible to correct red-eye during image playback, using simple settings in the PowerShot SX120 IS menu. Using an internal database of thousands of different photos, iSAPS works with the fast DIGIC 4 Image Processor to improve focus speed and accuracy, as well as exposure and white balance. DIGIC 4 features Face Detection Technology, giving you the best possible results in any shooting situation. Face Detection FE adjusts the flash to correctly illuminate your subject to provide the best balance between your subject and the overall scene, eliminating the common problems of over and underexposed faces. Face Detection WB means the camera concentrates upon faces when calculating white balance for the best possible skin tones. Face Select and Track lets you highlight one face among several in a scene, and the camera concentrates on that person, even as they move around the scene. Face Detection Technology is a powerful contributing factor in Canon's Motion Detection Technology. Simply press the Face Selector Button, then the selected face is double-framed and tracked when the face moves in the frame. Motion Detection Technology works in

the background to instantly evaluate how fast your subject is moving. It automatically selects and sets the optimal exposure and ISO settings to keep everything looking sharp and clear. This feature provides higher ISOs when you need it for actionstopping shutter speeds. But when no movement is detected, it sets lower ISOs for excellent color and detail. Life doesn't give you second chances to capture special times.

That's why the PowerShot SX120 IS features an ISO 1600 setting that reduces the effects of camera shake and sharpens subjects in lowlight situations, giving you greater shooting flexibility. Redeye Correction provides three options for removing redevye from subjects in flash pictures. 1 The Redeye Correction during shooting actually identifies and corrects redevye in human subjects as pictures are taken. 2 The PowerShot SX120 IS can be set to automatically detect and correct redevye during image playback. Large 3.0inch PureColor System LCD You'll want to have your PowerShot SX120 IS with you wherever you go, and a slim new design makes it easy. Subtly rounded for an easy grip, the camera exudes modern elegance and simplicity. The back panel's neat, intuitive interface includes a luxuriously big 3.0inch PureColor System LCD screen. And the PureColor System LCD screen's quality is as impressive as its size you'll get an exceptionally clear, bright view of all your shots, and enjoy a conveniently wide viewing angle for showing off your pictures to friends and family. AA battery powered camera enables you to easily power up Conveniently, you don't need to worry about running out of batteries or having to recharging them. Since AAsize batteries can be purchased at any store, simply get new ones locallywherever you go, no special power adapters or chargers are needed. Whats in the Box PowerShot SX120 IS Body AASize Alkaline Battery x2 SD Memory Card SDC32MB Wrist Strap WS800 Digital Camera Solution CDROM USB Interface Cable IFC400PCU AV Cable AVCDC400 To calculate the overall star rating and percentage breakdown by star, we don't use a simple average. Instead, our system considers things like how recent a review is and if the reviewer bought the item on Amazon. It also analyzes reviews to verify trustworthiness. Please try again later. Debra Hunter 5.0 out of 5 stars I also liked the picture quality. I wanted one myself because, I found some fitting subjects.

I also wanted this because, I lacked the money a year or so ago. However, when I got it, I found that it was only available through third party sellers. So, I ended choosing VKTechnology because, I just wanted the SD card and case. On that note, I followed their instructions, and contacted them. I specified which accessories I wanted then chose my case. Everything arrived after 23 weeks. I was excited to use it until I put in some batteries. It said low battery then shut off. So, I put some new ones after my dad returned due to his suggestion, and the same thing happened. He then said that we need a charger and that those things take a couple of hours to do. That was upsetting to learn. We bought some rechargeable batteries and the problem was fixed. On another note, I chose the 2GB SD card, which came devoid of pictures. I also chose the third case they offered me. The size was alright albeit it was a tight fit when I added the rechargeable batteries and charger. In addition, I chose the USB cable, which made it easy to upload pictures onto my computer. One last thing I got the hand strap because, I was anticipating someone else handling it a convention. All that said, this is a small, lightweight camera that takes good pictures. It can also be bought with helpful, little accessories. Of course, I bought this a year or so ago, so I dont know if the price would be the same.We had good times and then a fairly quick death. It was easy to use and did take some great photos. Action shots were difficult and there were many blurry shots. Portraits were nice. I felt the photo quality in general was quite nice. It is best for close range shots. It is small, compact, and easy to operate. The battery life button would come on more and more often saying that it needed new batteries. You could put in new batteries and get 12 shots only. Next, it would say the batteries needed to be changed. I would have to turn it on, get a few fast shots before it shut itself down.

This proved quite embarrassing. I am looking for a new camera now and have decided to spend more and hopefully get a camera that lasts longer.I wanted a camera that took better pictures than the

CoolPix; better zoom, image stabilization, low light capabilities, etc. Essentially, more big camera features in a little package. I also wanted a camera that operated entirely from off the shelf AA batteries. When I go on trips, I do NOT want to lug a battery charger with me, OR have to pay ridiculous prices for proprietary rechargeable batteries specific to particular vendors OR have to carry a spare with me so I can keep shooting when the vendor proprietary battery expires, which is usually at the worst possible moment. I spent HOURS searching and finally came up with this Canon. Okay, I dont use the flash much. A large pocket maybe. I have to work to wedge it in and out of my jacket pocket. No big deal. 2. They put the SD card under the battery door. Extremely annoying to have to open the battery door to get to the SD card. I transfer pics to my computer directly from the SD card and NEVER use the USB cable its just another thing to have to keep track of.

<http://eco-region31.ru/bosch-router-table-manual>